

TRD

FOUR-POST **COMMERCIAL LIFT**

WITH GREAT PERFORMANCE, THIS IS THE PERFECT LIFT TO MEET THE NEEDS OF GARAGE AND SHOP OWNERS.



T044A TA044A
T554A TA554A TXA554A

FOUR-POST LIFT

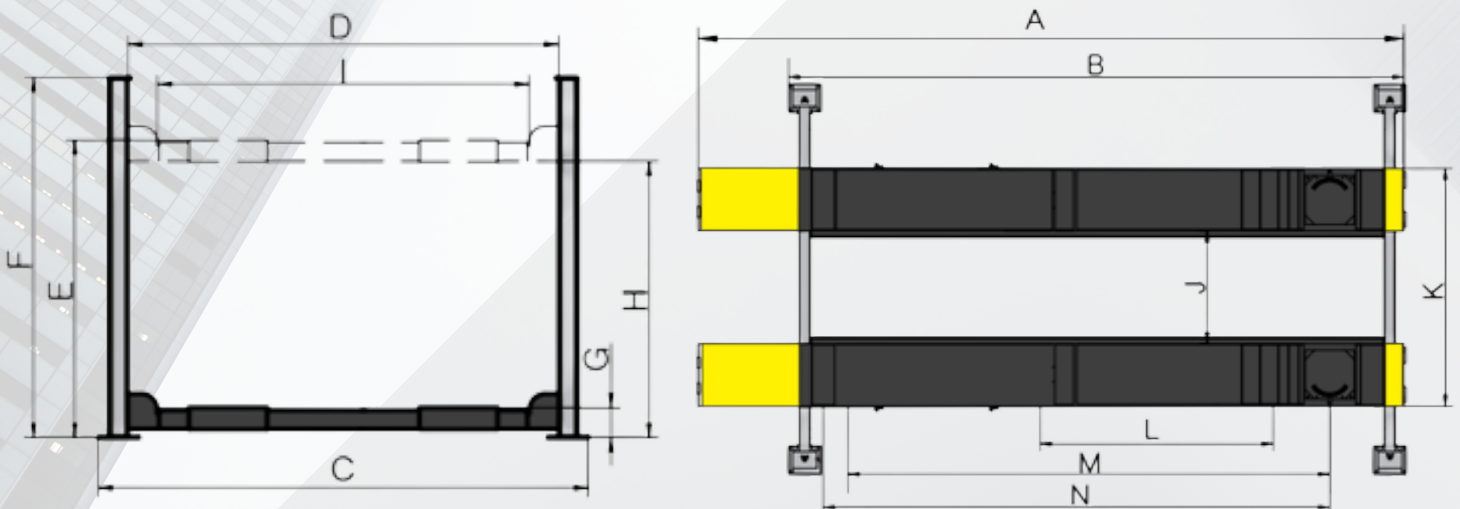
SPECIFICATIONS

PRODUCTS

MODEL		T044A	TA044A	T554A	TA554A	TXA554A
Style		Non-Alignment	Alignment	Non-Alignment	Alignment	Alignment
Lifting capacity		4000kg	4000kg	5500kg	5500kg	5500kg
Lifting time		46S	46S	63S	63S	63S
Overall Length (Inc. Ramps)	A	5512mm	5512mm	6012mm	6012mm	6012mm
Overall Length (No Ramps)	B	4600mm	4600mm	5100mm	5100mm	5100mm
Overall Width	C	3208mm	3208mm	3208mm	3208mm	3356mm
Width Between Posts	D	2852mm	2852mm	2852mm	2852mm	3000mm
Max. Lifting Height	E	1865mm	1915mm	1865mm	1915mm	1915mm
Overall Height	F	2185mm	2185mm	2185mm	2185mm	2185mm
Minimum Height	G	170mm	220mm	170mm	220mm	220mm
Max. Underneath Height	H	1724mm	1724mm	1724mm	1724mm	1724mm
Drive-Thru Clearance	I	2498mm	2498mm	2498mm	2498mm	2646mm
Width Between Runway	J	1100mm-Max.1300mm	1100mm-Max.1300mm	1100mm-Max.1300mm	1100mm-Max.1300mm	1100mm-Max.1365mm
Outside Edge of Runways	K	2116mm-Max.2316mm	2116mm-Max.2316mm	2116mm-Max.2316mm	2116mm-Max.2316mm	2116mm-Max.2381mm
Min. Four Wheel Align	L	/	2000mm	/	2000mm	2000mm
Max. Four Wheel Align	M	/	3460mm	/	3960mm	3960mm
Max. Two Wheel Align	N	/	3600mm	/	4100mm	4100mm
Motor		3.0HP	3.0HP	4.0HP	4.0HP	4.0HP
Gross Weight		917kg	1147kg	1070kg	1326kg	1331kg

FEATURES

PRODUCTS



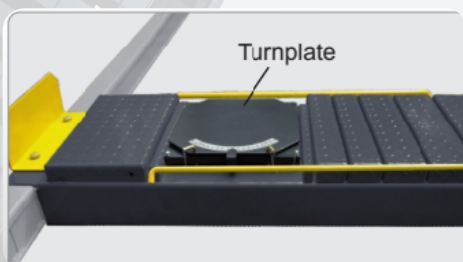
TRD

FOUR-POST COMMERCIAL LIFT

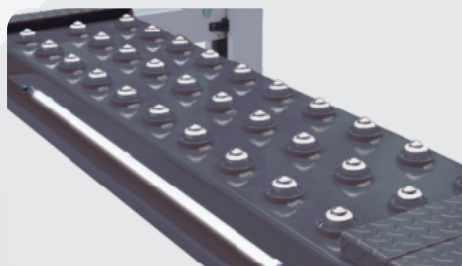
TRD FOUR POST LIFT ARE MADE STRONGER, MORE VERSATILE, AND EASIER TO USE.

FEATURES

- Electro-air control operation system.
- Mechanical self-lock and air-driven safety release.
- Electrical hydraulic power system, cable-driven.
- Skid proof diamond platform.
- Adjustable lifting platform: Off-side platform can be adjust the mounting position left or right as required. The standard distance between two platforms is 1100mm and maximum distance is 1300mm.
- Dual safety device: In case the primary safety locks are out of operation, the lift would also be locked automatically by a second safety device.
- COMMERCIAL LIFT
- AMGO four post lift are made stronger, more versatile, and easier to use. Adjustable turnplate positions to fit the different wheel base.



Adjustable turnplate blocks to fit various wheel bases vehicles.

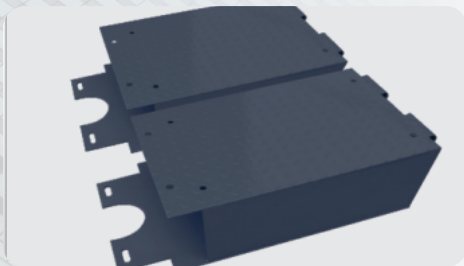
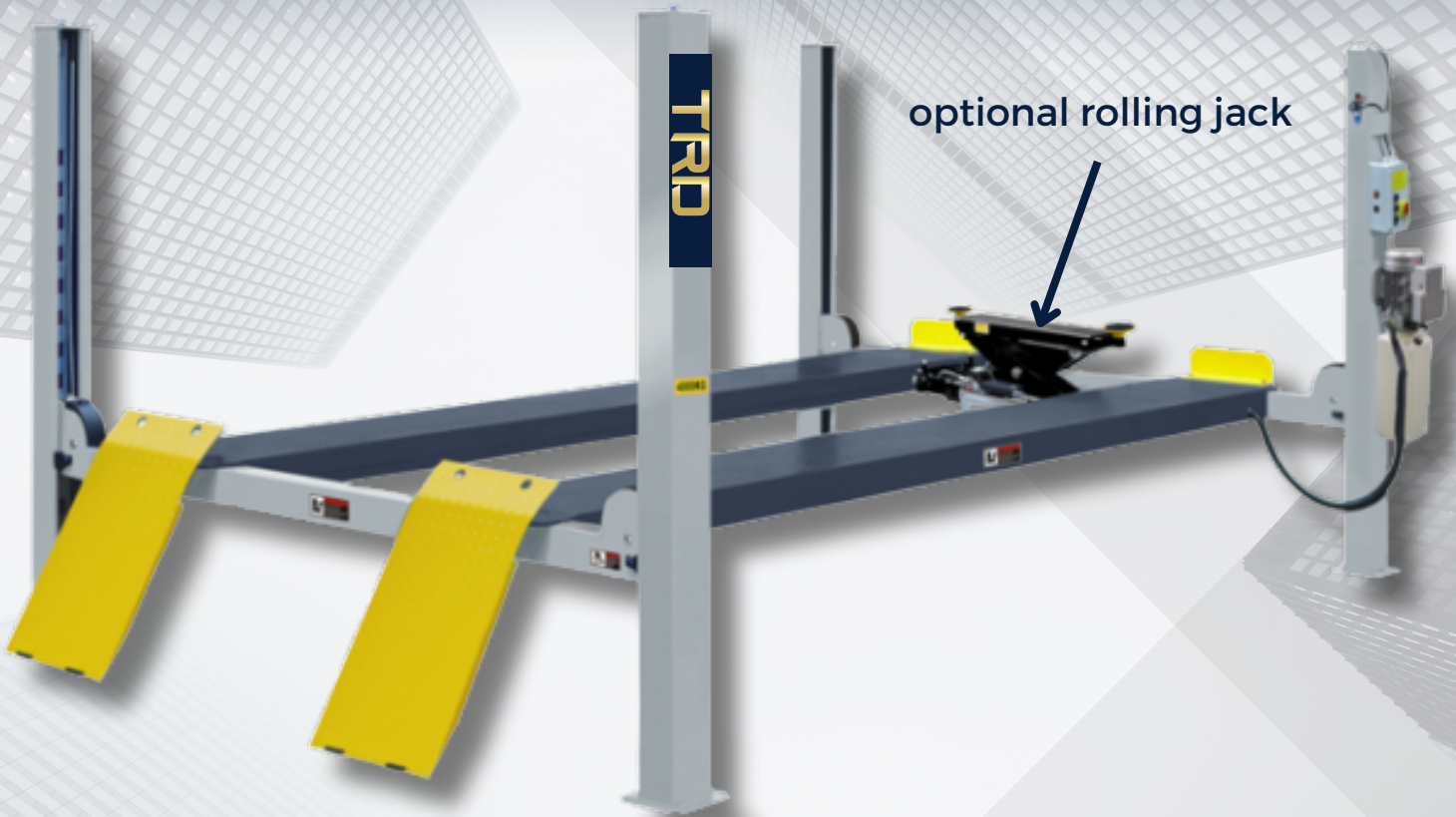


New rear-slip ball sets.
Optional LED light kits is fitted for every model of TRD 4-post lifts.
Kits No.:T40104



Optional Rolling Jack
J6H: manual hydraulic type 2,800kg
J6A: pneumatic hydraulic type 2,800kg
RJ-8A pneumatic hydraulic type 3,500kg.

FOUR-POST LIFT

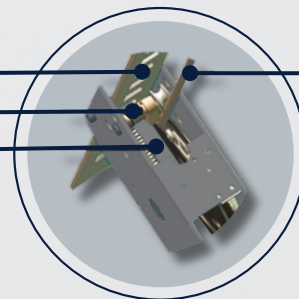


Optional platform extension kits adds an extra 660mm length to the platform. Kits No.40903, For models T044A TA044A
Kits No.T3021A, For models T554A TA554A TXA554A



Optional airline kits. Easy to install with all models of rolling jacks with pneumatic pump. Kits No.: T20104

Safety lock ladder
The second safety lock
The first safety lock



Cable



Optional adjustable blocks for alignment 4 post lift.
Kits No.: T50904
(used with kits T30904 or T30214)