

**TRD**

# TWO-POST ELECTROMAGNET SAFETY RELEASE LIFT

*OPERATION JUST BY PUSH THE BUTTON, SO EASY!*



**TC042E TCAS042E**

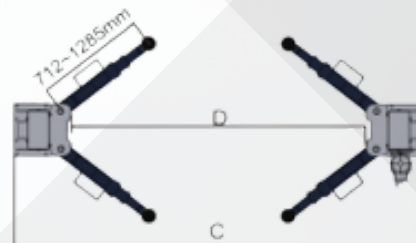
# TWO-POST LIFT

## SPECIFICATIONS PRODUCTS

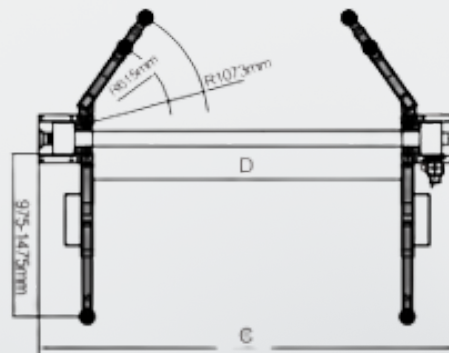
MODEL	TC042E	TCAS042E
Lifting capacity	4000kg	4000kg
Lifting time	57S	57S
Lifting height	A 1825mm~1960mm	1825mm~1960mm
Overall height	B 3621/3821mm	3621/3821mm
Overall width	C 3428mm	3428mm
Drive-Thru Clearance	D 2528mm	2528mm
Width Between Columns	E 2850mm	2850mm
Minimum height	F 100mm	100mm
Motor	3.0HP	3.0HP
GrossWeight	697kg	688kg



TC042E



TCAS042E

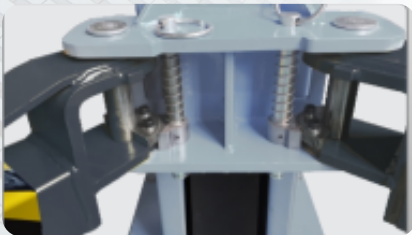


# TWO-POST LIFT

## FEATURES PRODUCTS

- Electric control box and electromagnetic safety release.
- Adjustable height accommodates varying ceiling height.
- Dual hydraulic direct-driven cylinders, designed and made on high standard.
- Both drop-in and screw rubber pads with 3 extension adapters.
- Automatic arm locks restraints and release.
- Self-lubricating UHMW Polyethylene sliders and bronze bush.
- Overhead safety shut-off device.
- Aero cable used for sunchronization
- Clearfloor design, provide unobstructed floor space.
- Detachable foot guard and tool tray.

## FEATURES PRODUCTS



Automatic arms restraints and release.



24V Voltage control device, more safety and convenient.



optional high extension kits with these kits the overall height is adjusted from 3821mm to 4431mm.  
Kitts No.:20902



Optional width extension kits with these kits the width between posts is adjusted form 2850mm to 3000m.  
No:21105.

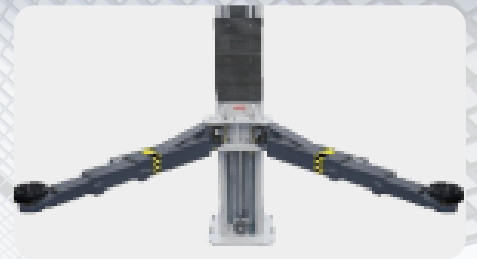
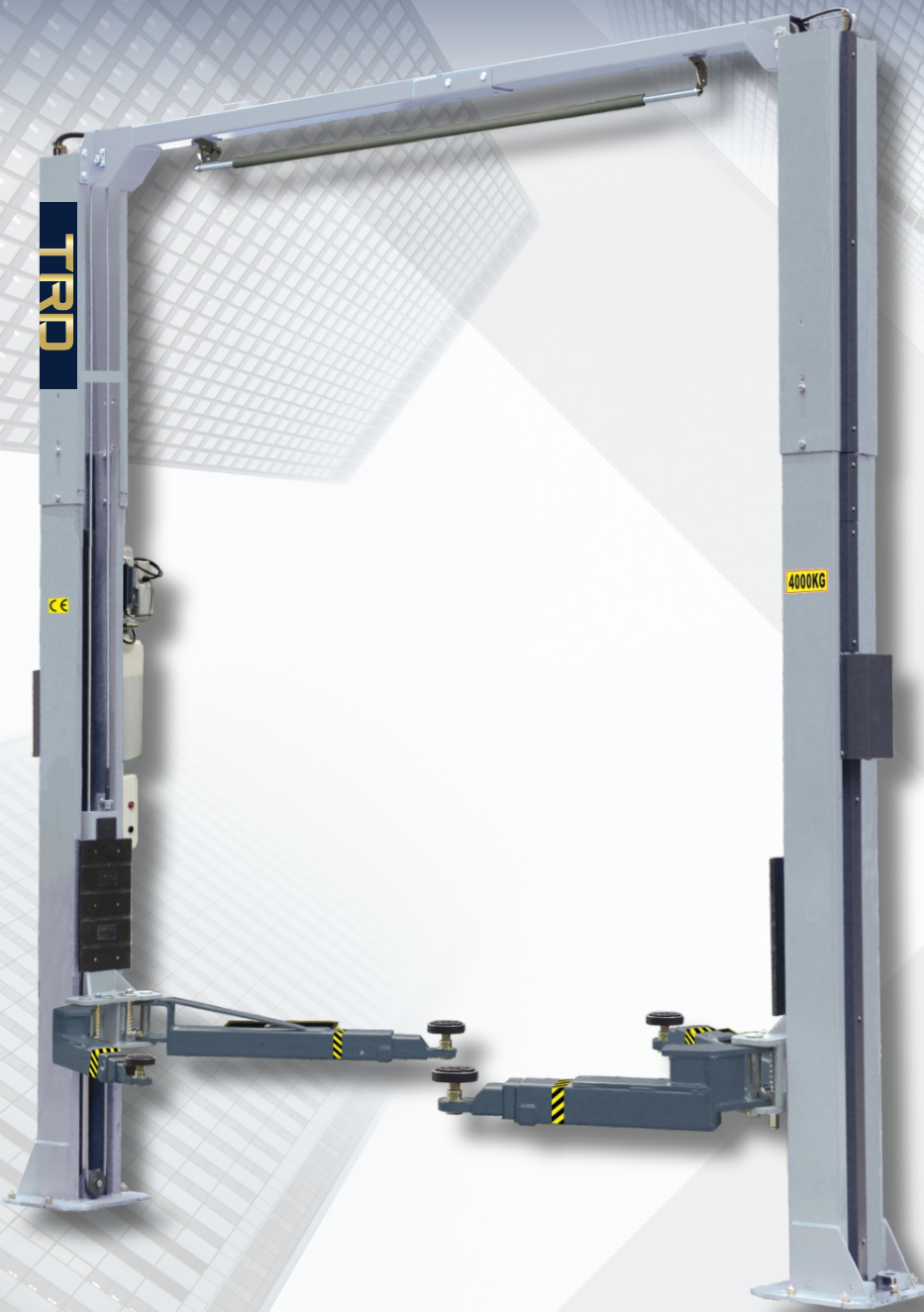


Optional saddle adapter.  
Kits No.:20804 (light truck).



Super asymmetric arms for TCAS042E

# TWO-POST LIFT



4 Three-stages arms for TC042E



Both insert and screw rubber pads with 3 extension adapters.



Optional 24v LED lights for clear floor 2-post lifts:  
Kits No.:20102 plus extension cable 20103.

With standard features that include adjustable height, direct drive, powder coat finish, insert and screw rubber pads and many other appealing features, the TC042E and TCAS042E accommodate the most demanding lift requirements.