

# TRD

## FOUR-POST **COMMERCIAL LIFT**

TRD HEAVY-DUTY FOUR POST LIFTS ARE BEST CHOICE FOR HEAVY DUTY VEHICLES  
OR TRUCKS IN COMMERCIAL SHOPS... STRONGER AND FASTER!



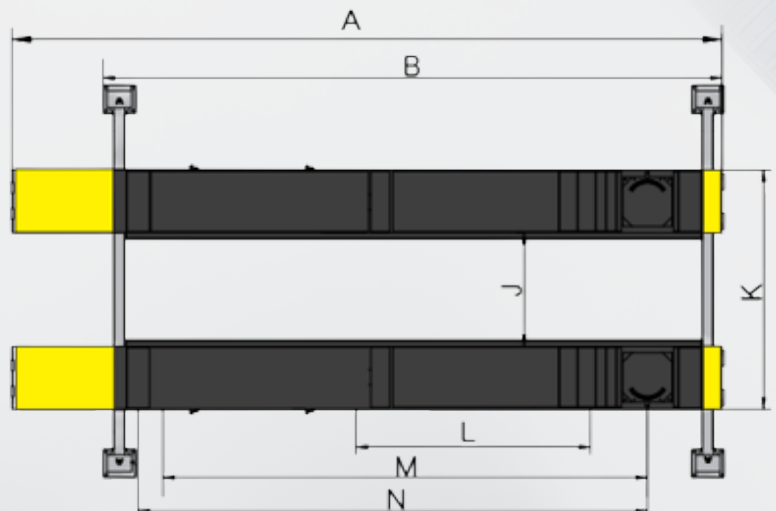
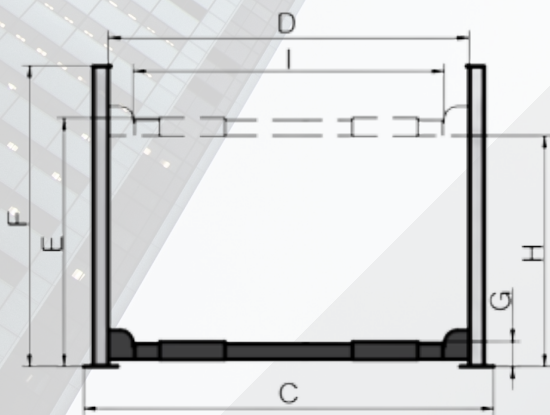
**T564A TA564A TE564A  
TEA564A T084A TA084A**

# FOUR-POST LIFT

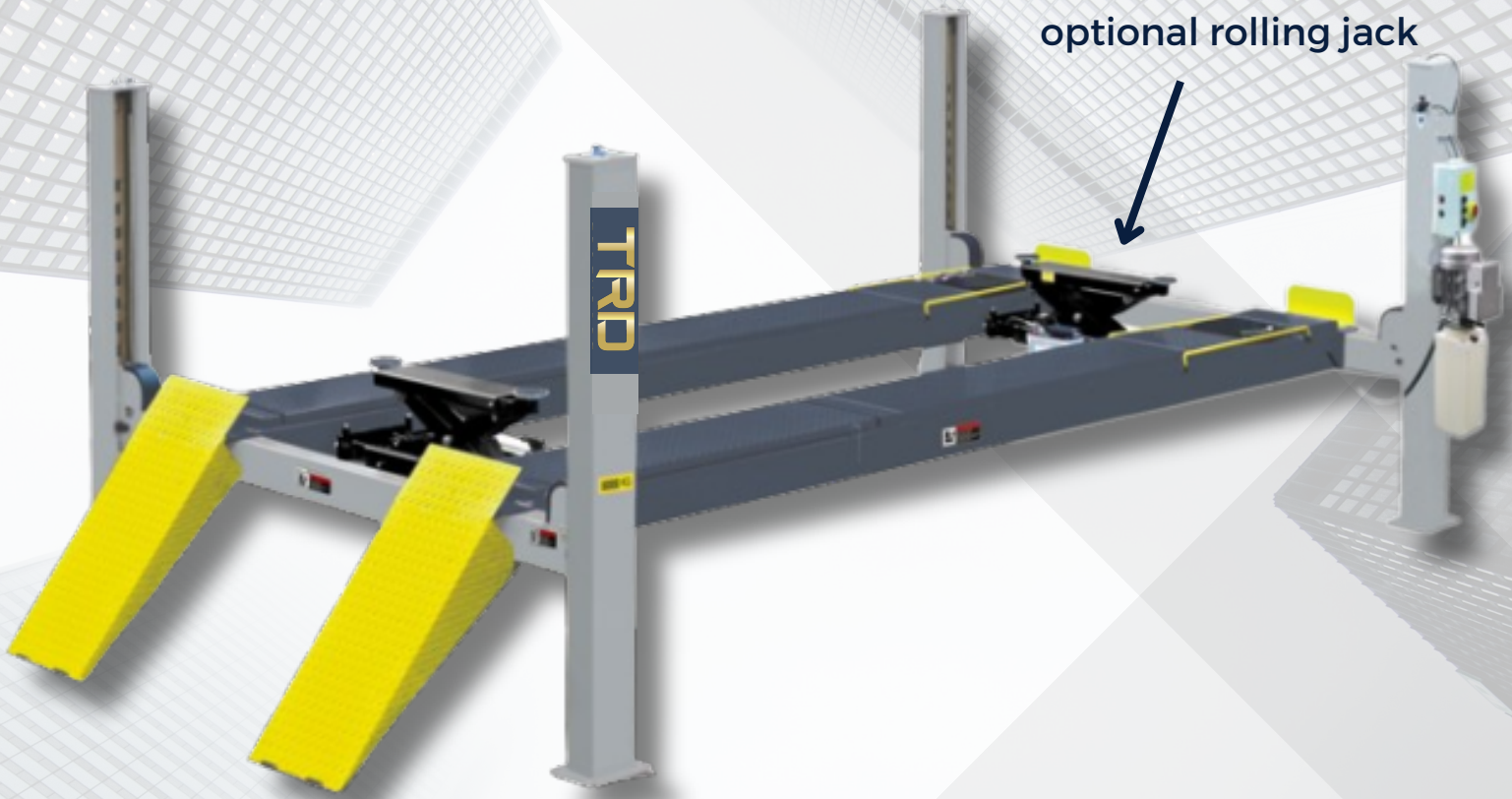
## SPECIFICATIONS PRODUCTS

MODEL		T564A	TA564A	TE564A	TEA564A	T084A	TA084A
Style		Non-Alignment	Alignment	Non-Alignment	Alignment	Non-Alignment	Alignment
Lifting capacity		6500kg	6500kg	6500kg	6500kg	8000kg	8000kg
lifting time		76S	76 S	76S	76 S	118S	118 S
Overall Length ( Inc. Ramps)	A	6541mm	6528mm	7265mm	7252mm	7449mm	7436mm
Overall Length ( No Ramps)	B	5500mm	5500mm	6224mm	6224mm	6408mm	6408mm
Overall Width	C	3324mm	3324mm	3324mm	3324mm	3482mm	3482mm
Width Between Posts	D	2946mm	2946mm	2946mm	2946mm	3108mm	3108mm
Max. Lifting height	E	1865mm	1915mm	1865mm	1915mm	1865mm	1915mm
Overall Height	F	2185mm	2185mm	2185mm	2185mm	2185mm	2185mm
Minimum Height	G	200mm	250mm	200mm	250mm	200mm	250mm
Max. Underneath Height	H	1695mm	1695mm	1695mm	1695mm	1692mm	1692mm
Drive-Thru Clearance	I	2592mm	2592mm	2592mm	2592mm	2750mm	2750mm
Width Between Runway	J	1194mm-Max.1385mm	1194mm-Max.1385mm	1194mm-Max.1385mm	1194mm-Max.1385mm	1302mm	1302mm
Outside Edge of Runways	K	2210mm-Max.2401mm	2210mm-Max.2401mm	2210mm-Max.2401mm	2210mm-Max.2401mm	2418mm	2418mm
Min. Four Wheel Align	L	/	2350mm	/	2350mm	/	2530mm
Max. Four Wheel Align	M	/	4310mm	/	4310mm	/	4640mm
Min. Two Wheel Align	N	/	4450mm	/	5170mm	/	5310mm
Motor		4.0HP	4.0HP	4.0HP	4.0HP	4.0HP	4.0HP
Gross Weight		1288kg	1550kg	1345kg	1655kg	1602kg	2019kg

## FEATURES PRODUCTS



# FOUR-POST LIFT



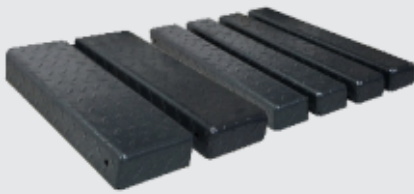
optional rolling jack

Safety lock ladder

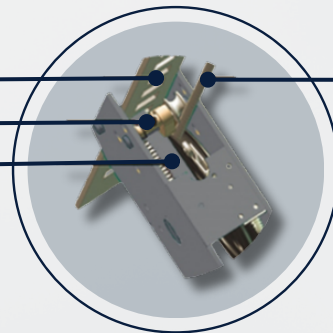
The second safety lock

The first safety lock

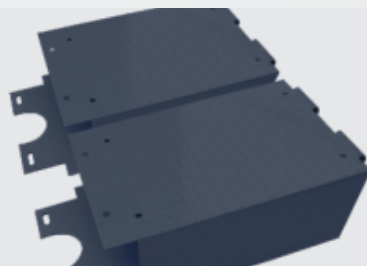
Cable



Optional adjustable blocks for alignment 4 post lift.  
Kits No.: T30814(TA084A) (used with kits T10804)



Optional adjustable blocks for alignment 4 post lift.  
Kits No.:T50904(TA564A) (used with kits T30414)



Optional platform extension kits adds an extra 660mm length to the platform. Kits No.:T30414(T564A TA564A)  
Kits No.:T10814(T084A TA084A)



Optional airline kits. Easy to install with all models of rolling jacks with pneumatic pump accessories.  
Kits No.:T20104

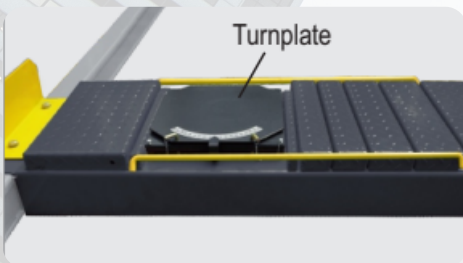
# FOUR-POST COMMERCIAL LIFT

TRD POWERFULL 4-POST LIFT PROVIDES A GENEROUS LIFTING CAPACITY AND FEATURES EXTRA WIDE RUNWAYS TO ACCOMMODATE A WIDE VARIETY OF VEHICLE TYPES AND WHEEL BASES.

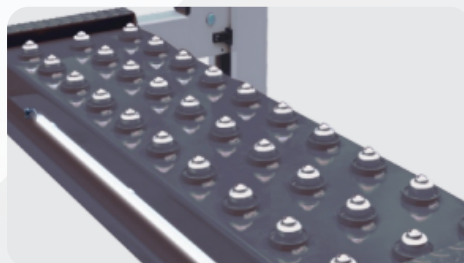
## FEATURES

- Electric-air control operation system.
- Mechanical self-lock and air-driven safety release.
- Electrical hydraulic power system, cable-driven.
- Skid proof diamond platform.
- Two adjustable turntable positions to accommodate different wheel base.
- Adjustable lifting platform: Off-side platform can be adjusts the mounting position
- left or right as required. The standard distance between two platforms is 1194mm
- and maximum distance is 1385mm. Only (A465 A465A).

Dual safety device: In case the primary safety locks are out of operation, the lift would also. be locked automatically by a second safety device



EAdjustable turntable blocks to fit various wheel bases vehicles.



New rear-slip ball sets.  
Optional LED light kits is fitted for every model of TRD 4-post lifts.  
LED Kits No.:T40104



Optional Rolling Jack  
J6H: manual hydraulic type 2,800kg  
J6A: pneumatic hydraulic type 2,800kg  
RJ-8A: pneumatic hydraulic type 3,500kg  
RJ-10A: pneumatic hydraulic type 4,500kg.